

# EXPLODED VIEW

## To-Be.46 OUT BOARD

## To-Be.46 OUT BOARD/A

**NOVAROSSİ WORLD S.r.l.**

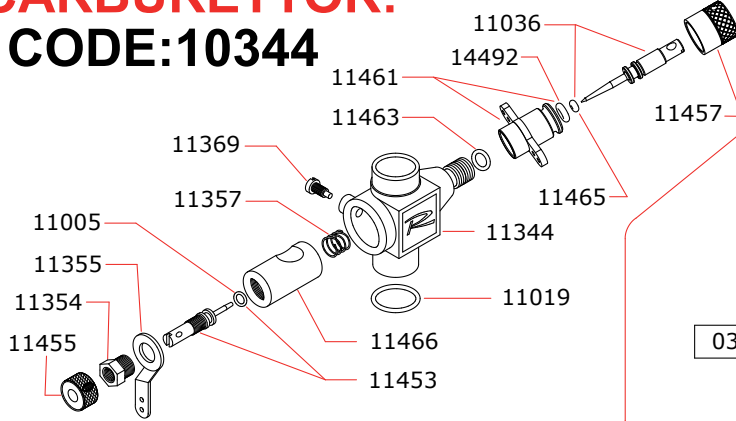
Via Europa, 20/A - 25040 Monticelli Brusati (BS) - ITALIA

web: www.novarossi.it | e-mail: info@novarossi.it

Tel. +39 030/6850316 | Fax: +39 030/6850314

I disegni sono puramente indicativi / Drawings are just indicative.

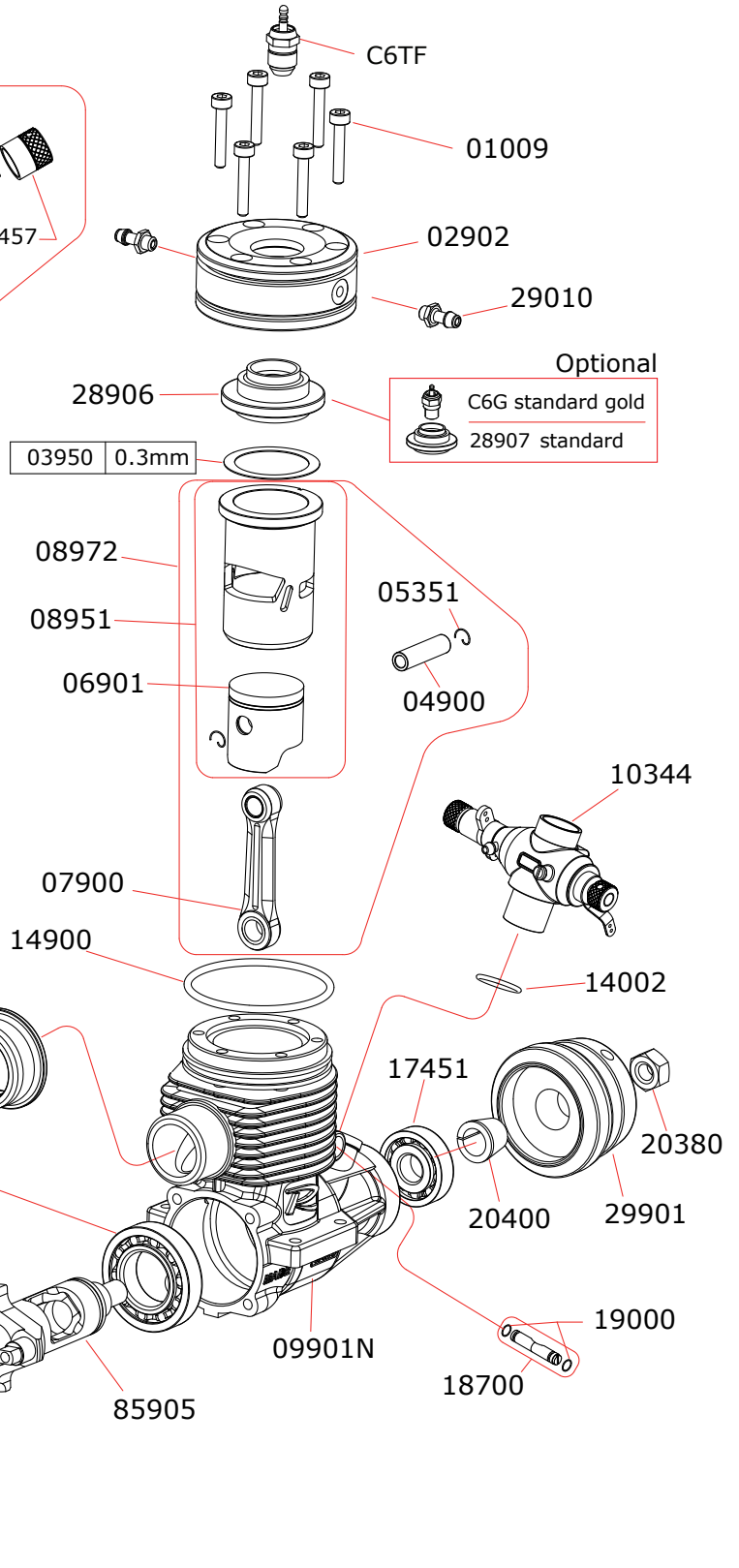
### CARBURETTOR: CODE:10344



Data ultima modifica:  
Date of last modification: **15-02-2018**

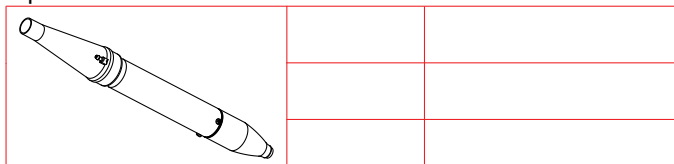
| Optional |       |        |
|----------|-------|--------|
|          | 03951 | 0.10mm |
|          | 03953 | 0.15mm |
|          | 03952 | 0.20mm |

|       |                     |         |
|-------|---------------------|---------|
| 16370 | To-Be.46 Outboard/A | STEEL   |
| 16371 | To-Be.46 Outboard   | CERAMIC |



| Optional |                   |
|----------|-------------------|
|          | C6G standard gold |
|          | 28907 standard    |

#### Pipes Recommended



#### Manifolds Recommended

