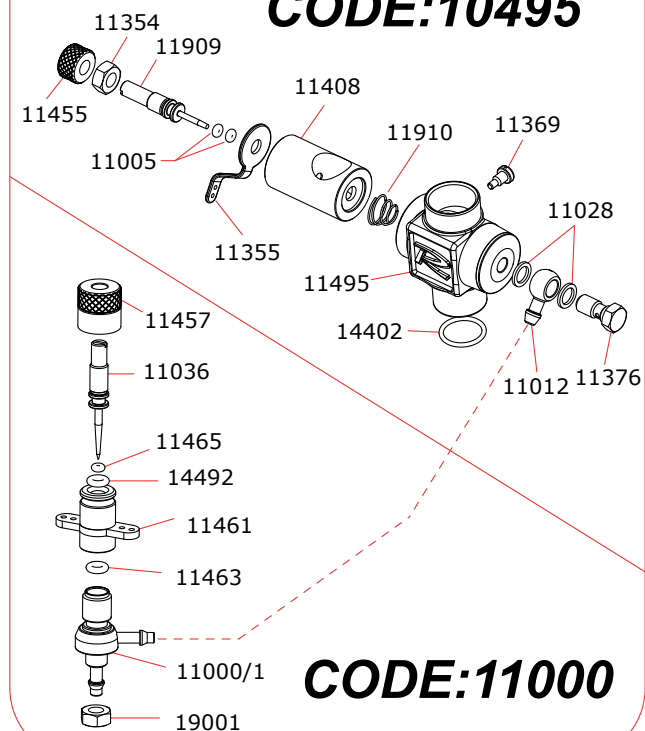


### CARBURETTOR

#### CODE:10495

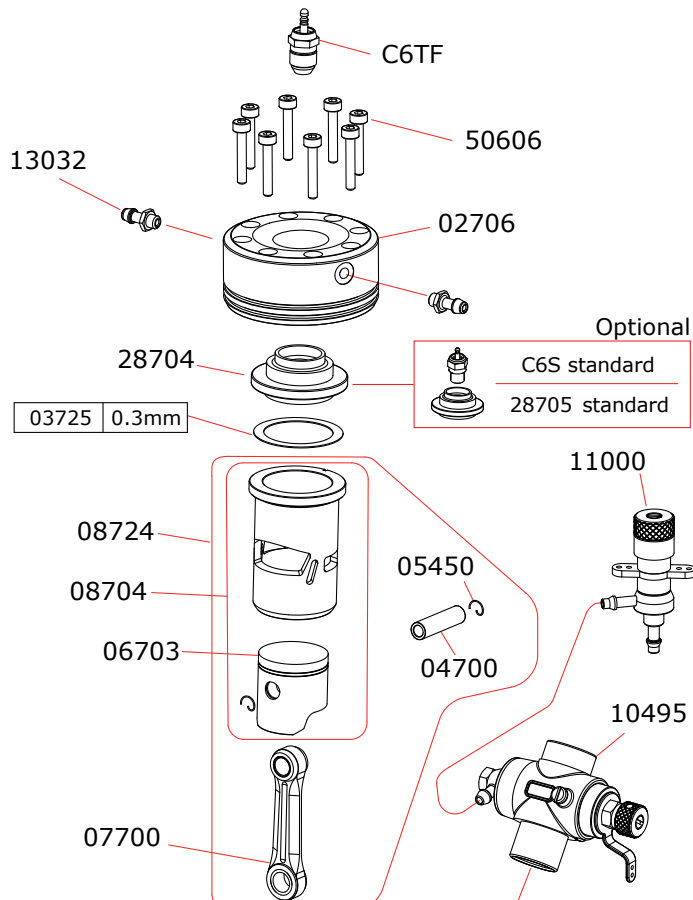


#### CODE:11000

#### Optional

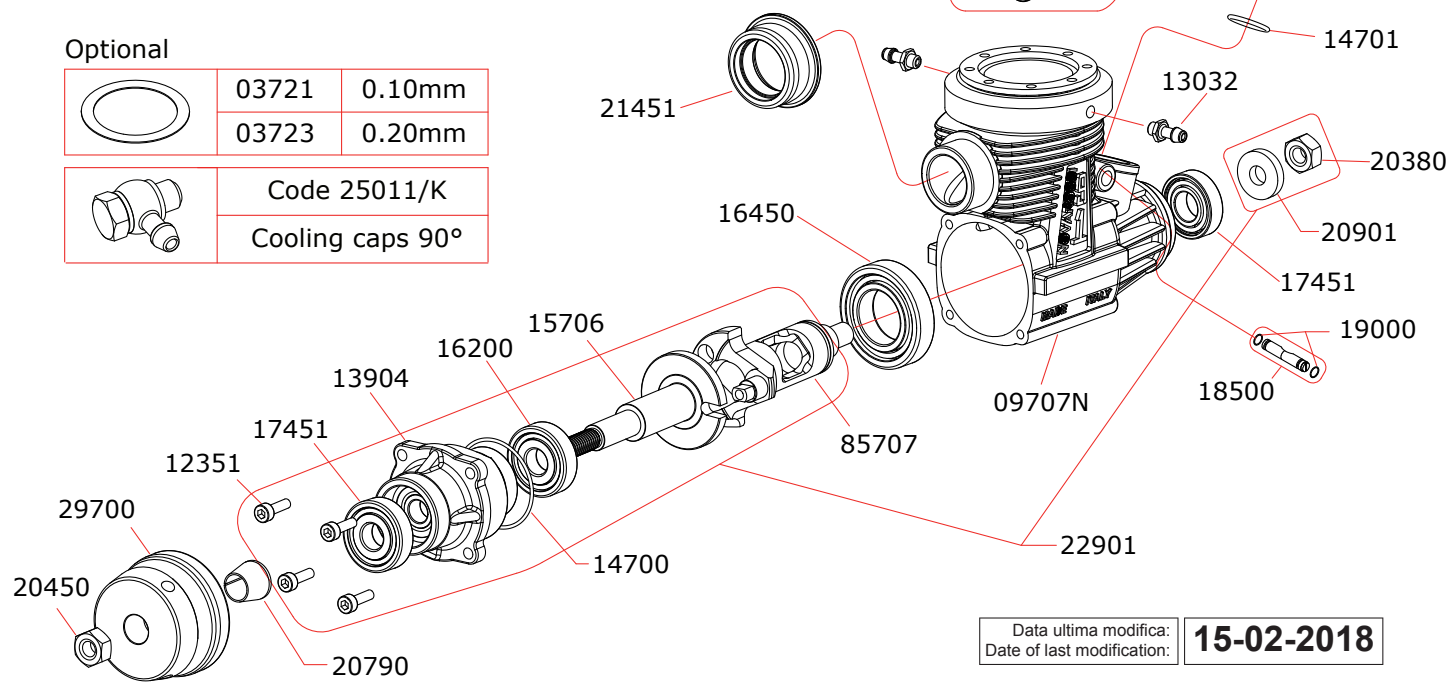
	03721	0.10mm
	03723	0.20mm

	Code 25011/K	
	Cooling caps 90°	



#### Optional

	C6S standard
	28705 standard



Data ultima modifica: **15-02-2018**  
Date of last modification:

#### Pipes Recommended

	50494	Without Silencer
	50495	Without Silencer +38mm
	50496	Without Silencer +38mm, with cooling

#### Manifolds Recommended

	40493	Curved 10° without cooling
	40494	Curved 10° with cooling